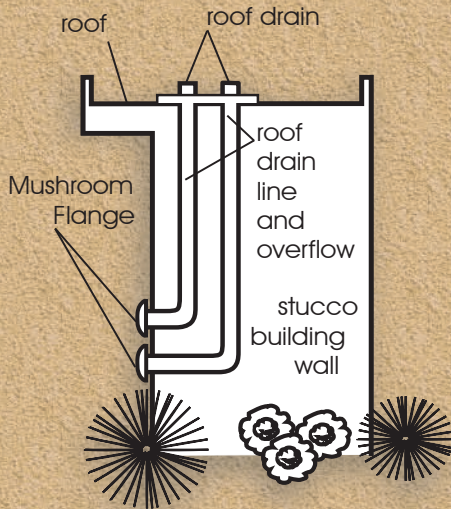
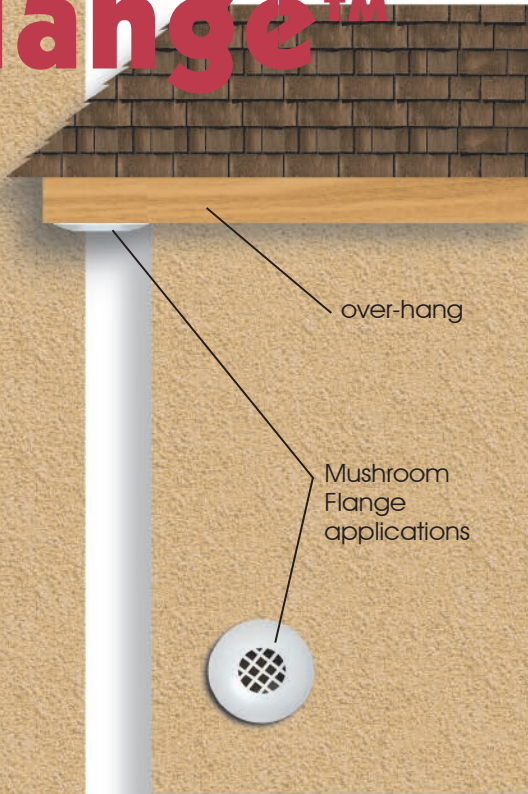
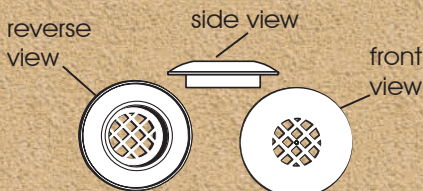
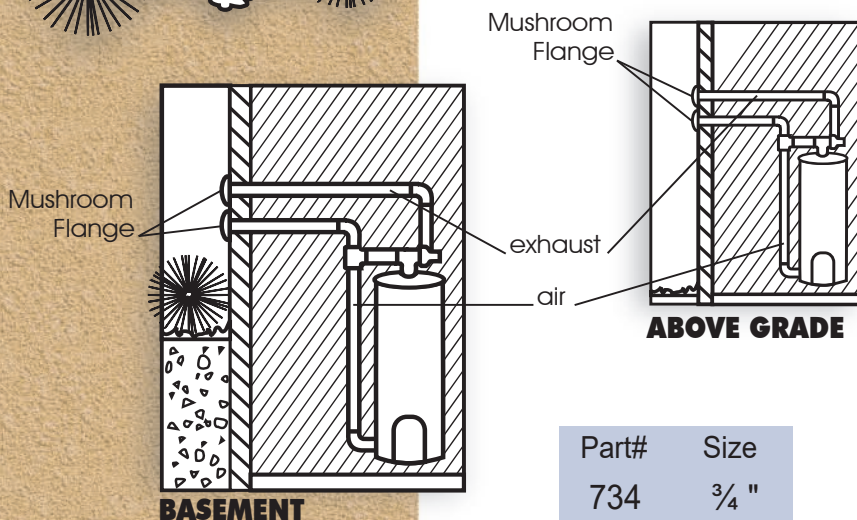


GIVES PIPES A
recessed LOOK

Mushroom Flange™



patent #5,427,417



THE MUSHROOM FLANGE™ BY PLUMBEREX

Finishes off pipes and gives a stylish professional, recessed look to:

- Roof Drain Lines/Down Spouts
- Direct Vent Water Heater Lines
- Exhaust/Vent Lines
- Overflow Lines
- Condensation Lines
- Retaining Wall Over-flow Lines
- Weephole Lines for Perimeter Walls

Made with durable ABS plastic, the Mushroom Flange™ is also perfect for finishing off side wall vent heaters, which use standard 3" PVC pipes for venting and air intake.

GRATE PREVENTS

- Rodents & Birds From Nesting or Entering Building
- Leaf Build-up
- Foreign Objects From Being Stuffed Into Pipe

INSTALLS EASILY IN MINUTES

Simply cut the pipe ¼" outside of the wall and glue the flange to the pipe. No need to cut the pipe inside of the wall.

SPECIFICATIONS

For a finished look, furnish and install MUSHROOM FLANGE™ with part # _____ manufactured by PLUMBEREX SPECIALTY PRODUCTS, INC.

Part#	Size
734	¾"
720	2"
730	3"
740	4"



MADE IN USA

Specialty Item

PLUMBEREX

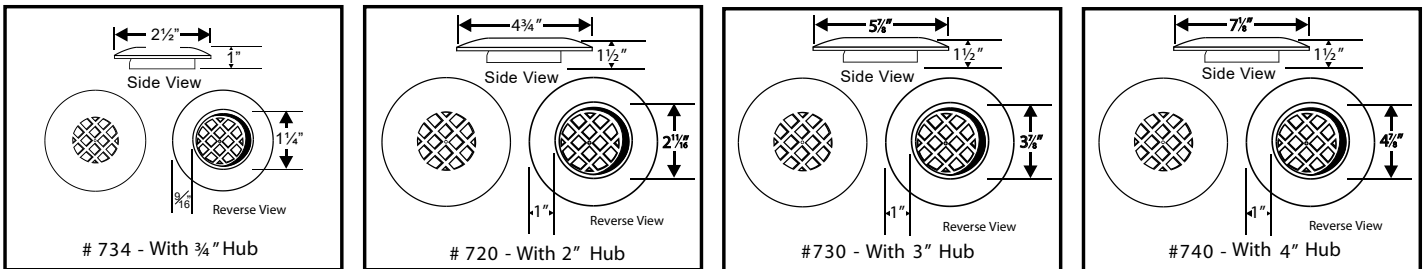
SPECIALTY PRODUCTS INC.

Engineering Smart Solutions

SPECIFICATION SHEET

PROJECT	
DWG #	
ITEM #	

MUSHROOM FLANGE™ with Grate



SUGGESTED SPECIFICATION

For a finished recessed look, rodent proofing and blockage free piping. Furnish and install Mushroom Flange # _____ manufactured by Plumberex Specialty Products, Inc.

COMMENTS:

PART #	COLOR	DIMENSIONS
734	White (ABS)	3/4" (Hub)
720	White (ABS)	2" (Hub)
730	White (ABS)	3" (Hub)
740	White (ABS)	4" (Hub)



MADE IN USA

PLUMBEREX
SPECIALTY PRODUCTS INC.

P.O. Box 1684 Palm Springs, CA 92263 (760) 343-7363 1-800-475-8629 FAX (760) 343-7366
Plumberex Specialty Products, Inc. Reserves the right to make changes of improvements at any time without notice.

© 2006-2021 Plumberex Specialty Products, Inc.