

PLUMBEREX

SPECIALTY PRODUCTS INC

ADA Specialty Products



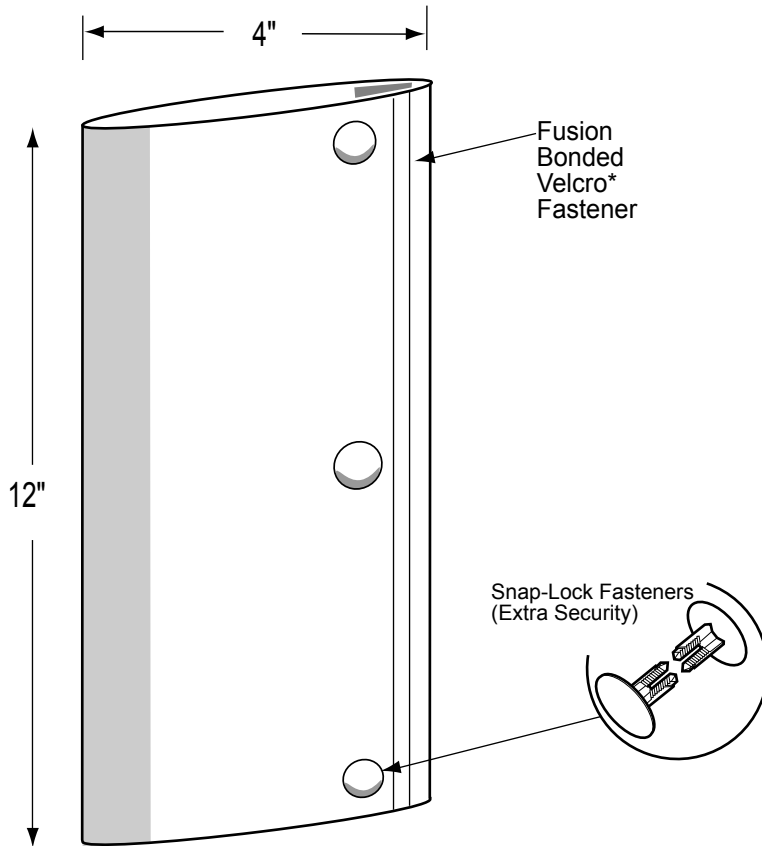
ADA
Compliant for Americans
with Disabilities Act
and IAPMO Listed



SUBMITTAL SHEET

| | |
|---------|--|
| PROJECT | |
| DWG # | |
| ITEM # | |

12" Tailpiece Extension #3031



SUGGESTED SPECIFICATION

Insulate per ADA (sec. 4.19.4), ADAAG (sec.606.5) and ICC/A117.1 (sec. 606.6) all drainage piping including all hot and cold water Valve and Supplies under lavatories. PVC Insulation Material to comply with IBC (International Building Code) shall meet Testing Standard ASTM E 84-07 with a 25 flame spread/450 smoke index.*

Manufacturer:Plumberex Specialty Products

Model: #3031

Tailpiece Extension shall have a one-piece design, fusion molded fabrication and pliable for high flexibility requirements. PVC insulator to be 1/8" thick and shall meet **Testing Standard ASTM E 84-07 with a 25 flame spread/ 450 smoke index per IBC Chapter 8**. Surface to be soft, smooth, non-absorbent, easy to clean U/V inhibited, antimicrobial, antifungal properties. Insulator shall have a dual fastening system which consists of fusion bonded Velcro** fastener strips for full slit enclosure and tamper resistant, smooth, non-abrasive snap-locking fasteners.

Tailpiece Extension one-piece design for a universal fit for 1/4&1/2 brass & plastic tubular.

CODES & STANDARDS COMPLIANCE

ADA 4.19.4, ADAAG 606.5

ICC/ANSI A 117.1 (sec. 606.6)

IBC (International Building Code) Chapter 8

*Velcro is a registered trademark of Velcro USA Inc.

PART NUMBER BY PRODUCT

***Note: All model colors are white**

- MODEL # 3031 White**
12 Inch Tailpiece Extension

Available color options:

| | | | |
|-------|------|--------|-------|
| White | Gray | Almond | Black |
| | | | |



MADE IN USA



P.O. Box 1684 Palm Springs, CA 92263 (760) 343-7363 1-800-475-8629 FAX (760)343-7366
Plumberex Specialty Products, Inc. Reserves the right to make changes or improvements at any time without notice.

© 2004 Plumberex Specialty Products, Inc.