

# PLUMBEREX

SPECIALTY PRODUCTS INC

ADA Specialty Products



ADA  
Compliant for Americans  
with Disabilities Act  
and IAPMO Listed



## SUBMITTAL SHEET

PROJECT	
DWG #	
ITEM #	

### SUGGESTED SPECIFICATION

Insulate hot and cold domestic water piping, waste piping, and other components below ADA plumbing fixtures with IAPMO/UPC listed, sewed, removable 1/8" thick PVC vinyl with a smooth soft and pliable texture. Insulation shall conform to International Building Code (IBC) with testing standard of ASTM E84-07 Class A Material (25 Flame/450 Smoke) criteria. Protectors shall consist of a dual fastening system of full length \*Velcro Fastening Strips and tamper resistant self-locking snap fasteners.. Protectors shall consist of a dual fastening system of full length \*Velcro Fastening Strips and tamper resistant self-locking snap fasteners.

#### Manufacturer: Plumberex Specialty Products Inc.

brand and shall consist of all the above listed components and features.

\*Velcro is a registered trademark of Velcro USA Inc.

### PRODUCT DETAIL:

Protectors shall have a universal fit for 1 1/4"-1 1/2" brass or plastic P-Traps. Surfaces shall have a non-abrasive, non-absorbent easy to clean U/V inhibited, antimicrobial, and antifungal properties. Install to comply with ADA 4. 24. for exposed P-traps and water valve supplies under lavatory plumbing fixtures.

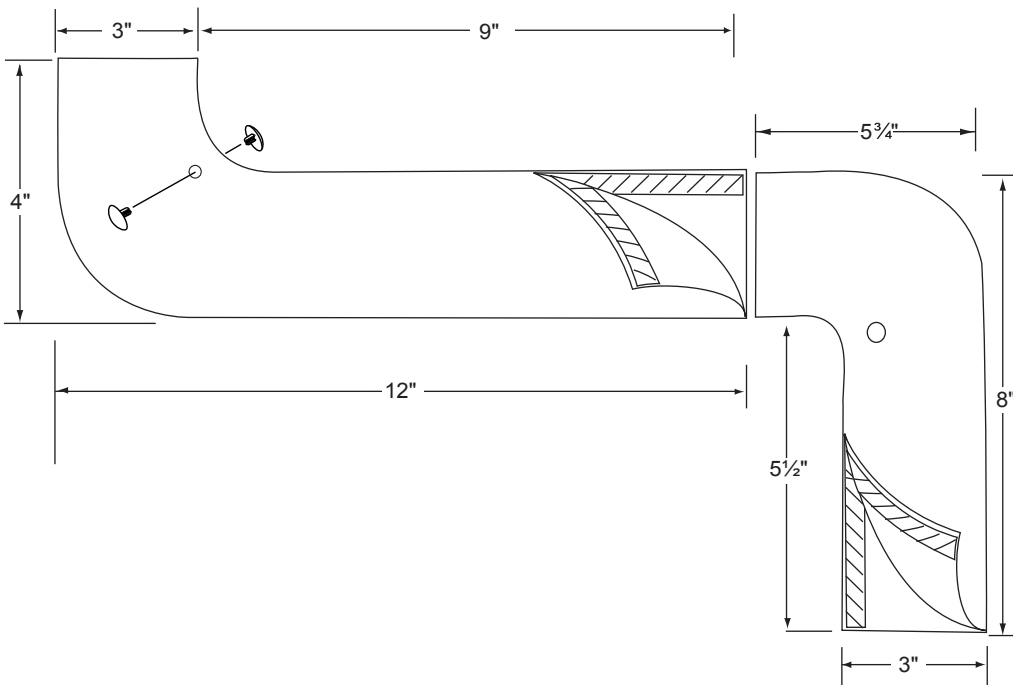
### PART NUMBER BY PRODUCT

**MODEL # 3051-XL White**  
Bar Sink/Kitchen Offset Cover

#### Available color options:

White	Gray	Almond	Black

## Bar Sink/Kitchen Offset Cover #3051-XL



MADE IN USA



P.O. Box 1684 Palm Springs, CA 92263 (760) 343-7363 1-800-475-8629 FAX (760) 343-7366  
Plumberex Specialty Products, Inc. Reserves the right to make changes or improvements at any time without notice.

© 2004-2013 Plumberex Specialty Products, Inc.