

Floor Sink CARRIER™

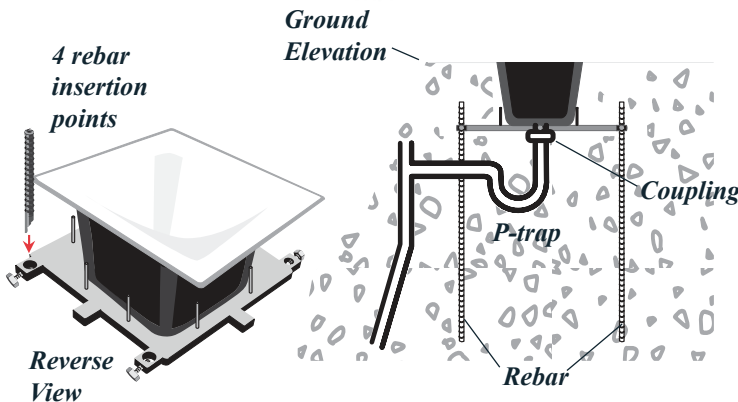
*For fast, professional-looking,
footing area
fixture installations*



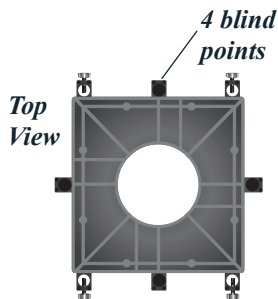
Floor Sink Carrier application

Patent # 5,628,484

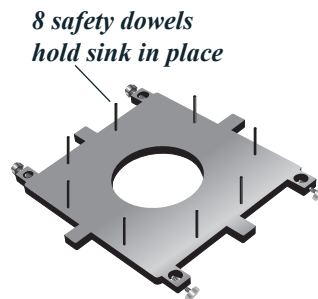
*Built-in screws
for easy adjustment*



Reverse View



Top View



*8 safety dowels
hold sink in place*

THE FLOOR SINK CARRIER™ BY PLUMBEREX

Acts as a caddy for floor sink installations, eliminating the hassle of taping rebar during groundwork to estimate where sink placements meet floor elevations. Engineered with the plumber in mind, the Floor Sink Carrier™ was designed by plumbing professionals who know the industry.

BENEFITS

- Easy to meet floor elevations
- Professional-looking installations
- Installs easily in minutes
- Saves labor, cuts installation time by 80%
- Fits all floor sinks with 2" to 4" outlets
- Hassle-free elevation adjustments
- 3/8" to 1/2" rebar may be used
- Safety rebar secures floor sink permanently in place
- Complies with metal-to-metal building/soil codes
- Quick, screw-on design eliminates need for costly and clumsy tape or wire configurations
- Easy on plumber's back by eliminating prolonged weight transports of heavy sinks

Floor Sink Carrier™ made of durable ABS plastic, is perfect for laying fixtures in footing areas as shown left.

SPECIFICATIONS

For professional, secure, hassle-free floor sink installations, furnish and install FLOOR SINK CARRIER™ manufactured by PLUMBEREX SPECIALTY PRODUCTS, INC.

PLUMBEREX
SPECIALTY PRODUCTS, INC.
Engineering Smart Solutions



MADE IN USA

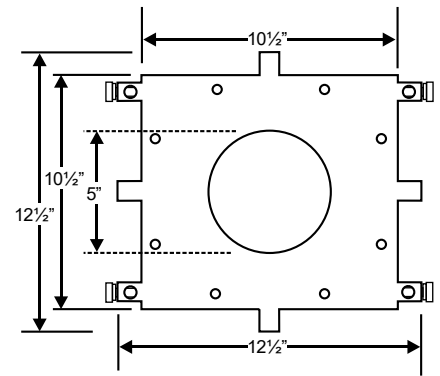
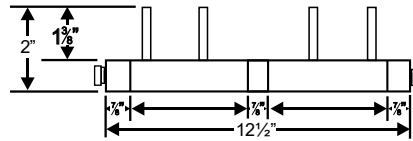
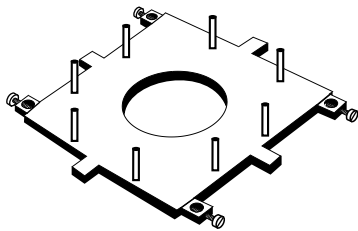
Specialty Item



SPECIFICATION SHEET

PROJECT	
DWG#	
ITEM#	

FLOOR SINK CARRIER™



FLOOR SINK INSTALLATION SPECIFICATION

All floor sinks to be installed before concrete flooring is poured, to guarantee a one time, solid monolithic pour around every sink. No patchwork is to be allowed after flooring has been poured. All floor sink fixtures, traps and joints are to be pressure tested for leaks before concealing, as per all plumbing codes. No metal-to-metal contact shall be accepted as support of floor sink installation. For professional monolithic floors and secure, non metal-to-metal contact floor fixture installations, install Model #700 Floor Sink Carrier™ manufactured by Plumberex Specialty Products, Inc.

COMMENTS:	PART#	COLOR	DIMENSIONS
		700	ABS Plastic



P.O. Box 1684 Palm Springs, CA 92263 (760) 343-7363 1-800-475-8629 FAX (760) 343-7366
 Plumberex Specialty Products, Inc. Reserves the right to make changes of improvements at any time without notice.