

# PLUMBEREX

SPECIALTY PRODUCTS INC

ADA Specialty Products



ADA  
Compliant for Americans  
with Disabilities Act  
and IAPMO Listed

## SUBMITTAL SHEET

PROJECT	
DWG #	
ITEM #	

## SUGGESTED SPECIFICATION

Insulate per ADA 4.19.4 and or ANSI A117.1 all exposed water, valve supplies and drain piping. Protectors shall conform to ASTM C 1822 Type I. Protectors will consist of one-piece cover with a smooth, soft texture, anti-fungal, anti-microbial, closed cell vinyl with heat welded construction. Insulation shall conform to International Building Code (IBC) with testing standard of ASTM E84-07 Class A Material (25 Flame/450 Smoke) criteria. Protectors shall consist of a dual fastening system of Velcro® Fastening Strips and tamper resistant self-locking snap fasteners. Protectors must be secured by Heavy-Duty, Self-Locking, Snap Fasteners for permanent safe fit option to deter theft and/or injury.

**Manufacturer: Plumberex  
Specialty Products Inc.  
Model #3200**

brand and shall consist of all the above listed components and features.

\*Velcro is a registered trademark of Velcro USA Inc.

## PRODUCT DETAIL:

For thermostatic and mixing valves, exposed piping and supply stop protectors requiring compliance with ADA 4.19.4 covers attach by a dual fastening system of a 3/4" Velcro strip and tamper resistant, self-locking snap fasteners. Surfaces are easy to clean non-absorbent vinyl with U/V inhibited, antifungal/anti microbial agents.

## PART NUMBER BY PRODUCT

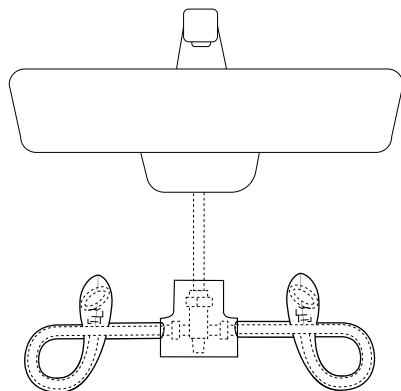
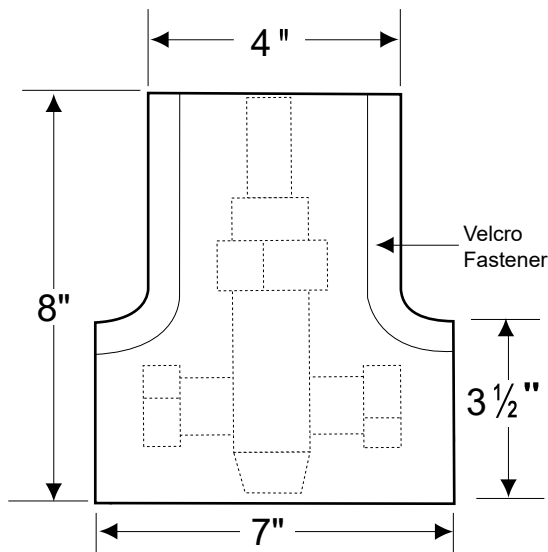
\*Note: All model colors are white

**MODEL # 3200**  
Valve cover

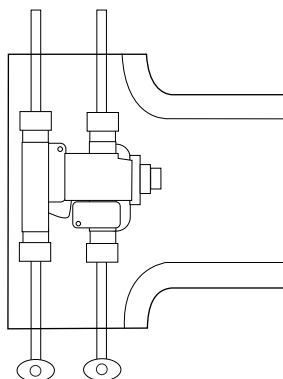
Available color options:

White	Gray	Almond	Black

## #3200 Thermostatic and Mixing Valve Cover Universal Fit\*



Optimum Flexibility for  
Plumbing Code Required  
Mixing Valve Installations



Covers different types of  
Thermostatic Mixing Valves

Works with Plumberex Handy-Shield Maxx or Trap-Gear P-trap  
and Water Supply Covers for full ADA compliance



MADE IN USA

\*Plumberex makes no claim that the #3200 will fit any valve. Use posted dimensions for proper fit.

**PLUMBEREX**  
SPECIALTY PRODUCTS INC.

P.O. Box 1684 Palm Springs, CA 92263 (760) 343-7363 1-800-475-8629 FAX (760)343-7366  
Plumberex Specialty Products, Inc. Reserves the right to make changes or improvements at any time without notice.

© 2008 Plumberex Specialty Products, Inc.